

# Ecophon Saga™ B

Ecophon Saga™ B is bonded edge-to-edge and directly fixed using screws. The bevelled edge creates a narrow groove between the tiles. For applications where the minimum possible overall depth of system is required.



## SYSTEM RANGE



Size, mm	600x600	1200x600
Direct	•	•
Direct to grid, mechanically	•	•
Suspended	•	•
Wall	•	•
Thickness (THK)	25	25
Inst. Diagr.	M575, M576, M578	M575, M576, M578



Saga B panel



Saga B System



Saga B Section

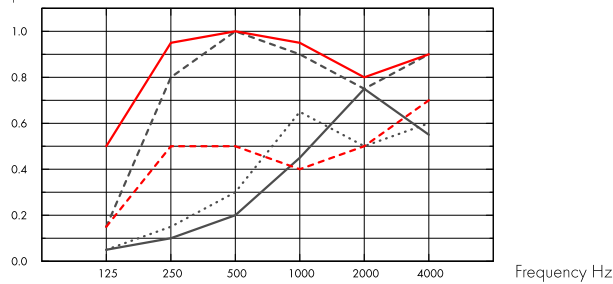
## Acoustic



### Sound Absorption:

Test results according to EN ISO 354. Classification according to EN ISO 11654, and the single value ratings for Noise Reduction Coefficient, NRC and Sound Absorption Average, SAA according to ASTM C 423.

$\alpha_p$ , Practical sound absorption coefficient



- Saga B, 25 mm o.d.s.
  - ..... Saga B, 50 mm o.d.s.
  - Saga B + Saga Acoustic, 70 mm o.d.s.
  - .-.- Saga B, 200 mm o.d.s.
  - Saga B + Saga Acoustic, 200 mm o.d.s.
- o.d.s = overall depth of system

	THK mm	o.d.s. mm	$\alpha_p$ , Practical sound absorption coefficient						$\alpha_w$	Sound absorption class
			125 Hz	250 Hz	500 Hz	1000 Hz	2000 Hz	4000 Hz		
-	25	25	0.05	0.10	0.20	0.45	0.75	0.55	0.30	D
-	25	50	0.05	0.15	0.30	0.65	0.50	0.60	0.35	D
+ Saga Acoustic	65	70	0.15	0.80	1.00	0.90	0.75	0.90	0.85	B
-	25	200	0.15	0.50	0.50	0.40	0.50	0.70	0.50	D
+ Saga Acoustic	65	200	0.50	0.95	1.00	0.95	0.80	0.90	0.90	A

	THK mm	o.d.s. mm	NRC	SAA
-	25	25	0.40	0.37
-	25	50	0.40	0.41
+ Saga Acoustic	65	70	0.85	0.89
-	25	200	0.50	0.48
+ Saga Acoustic	65	200	0.95	0.92

## Indoor Air Quality



Certificate / Label	
French VOC	A+
Finnish M1	•





## Carbon footprint

	kg CO <sub>2</sub> equiv/m <sup>2</sup>	Life-cycle stages A1 to C4 from EPD, in conformity with ISO 14025 / EN 15804
Saga (white cement)	6,41	
Saga (grey cement)	4,80	



## Circularity



Products are made with FSC certified wood.



## Fire safety

Country	Fire standard	Class
Europe	EN 13501-1	B-s1,d0



## Humidity Resistance

Class C, relative humidity 95% and 30°C, according to EN 13964:2014



## Thermal Properties

Thermal conductivity  $\lambda = 0,1$  W/m-K according to EN 12664.



## System weight

The weight of the system (including suspension grid) should be approximately 17,5 kg/m<sup>2</sup> (20,0 kg/m<sup>2</sup> with additional Saga Acoustic acoustic absorber).



## Mechanical properties

See table regarding the min- and max- load bearing capacities and functional demands. Additional live load has to be fixed to the soffit.



## Visual appearance

Super fine fibres 1.0 mm. Light reflectance and nearest NCS colour sample for all the different colours: See Ecophon Colours and surfaces.



## Accessibility

The tiles are not demountable.



## Impact Resistance

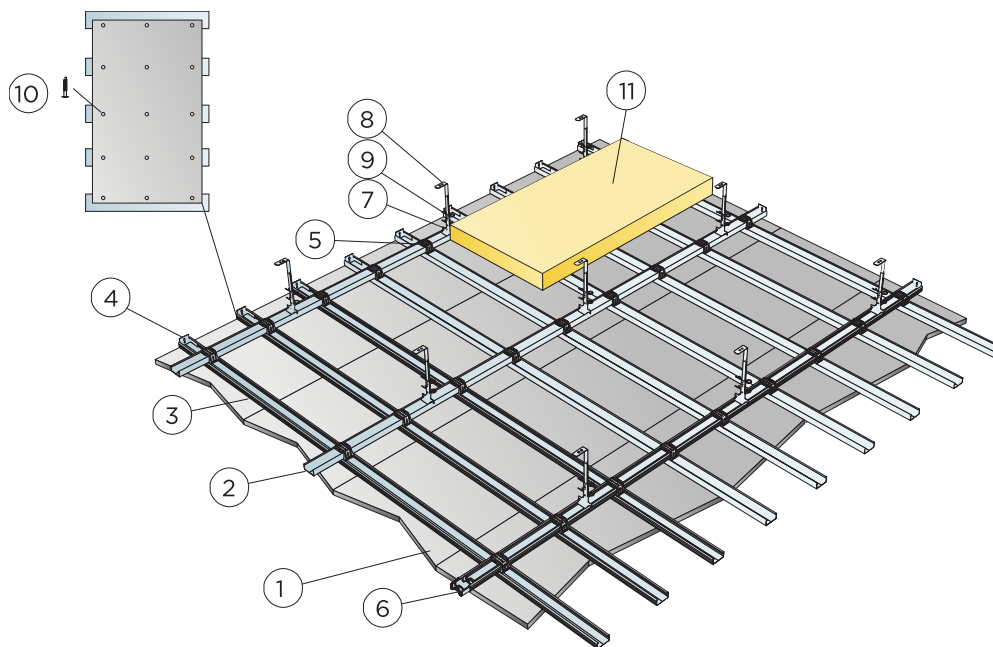
Thickness	M-sketch	Classification	Tested and classified according to EN 13964 annex D.
25	M575	1A	



## CE

Ecophon Saga products are CE-marked according to the European harmonized standard EN 13964:2014 (suspended ceilings). CE marked construction products are covered by a Declaration of Performance (DOP) which enables customers and users to easily compare performance of products available on the European market.

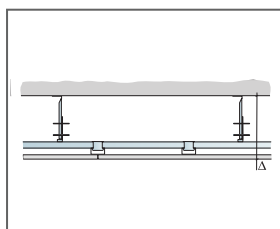
## INSTALLATION DIAGRAM (M575) FOR ECOPHON SAGA B, IMPACT RESISTANT SYSTEM WITH GRIDS.



©Saint Gobain Ecophon AB

### QUANTITY SPECIFICATION (EXCL. WASTAGE)

	Size, mm	
	600x600	1200x600
1 Saga B	2,8/m <sup>2</sup>	1,4/m <sup>2</sup>
2 Connect C-profile Plus, L=3100 mm, installed 900 mm centres	1,2m/m <sup>2</sup>	1,2m/m <sup>2</sup>
3 Connect C-profile Plus, L=3100 mm, installed 300 mm centres	3,4m/m <sup>2</sup>	3,4m/m <sup>2</sup>
4 Connect Wall bracket Plus	as required	as required
5 Connect X-connector Plus	7,4/m <sup>2</sup>	7,4/m <sup>2</sup>
6 Connect Splice connector Plus	1,2/m <sup>2</sup>	1,2/m <sup>2</sup>
7 Connect Nonius hanger lower, installed at 900 mm centres	1,2/m <sup>2</sup>	1,2/m <sup>2</sup>
8 Connect Nonius hanger upper, installed at 900 mm centres	1,2/m <sup>2</sup>	1,2/m <sup>2</sup>
9 Connect Split pin (2/hanger)	2,3/m <sup>2</sup>	2,3/m <sup>2</sup>
10 Connect Saga Fixation	9pcs/panel	15pcs/panel
11 Saga Acoustic (if required)	as required	as required
Δ Min. overall depth of system: 310 mm	-	-
δ Min. demounting depth: The system is not demountable	-	-

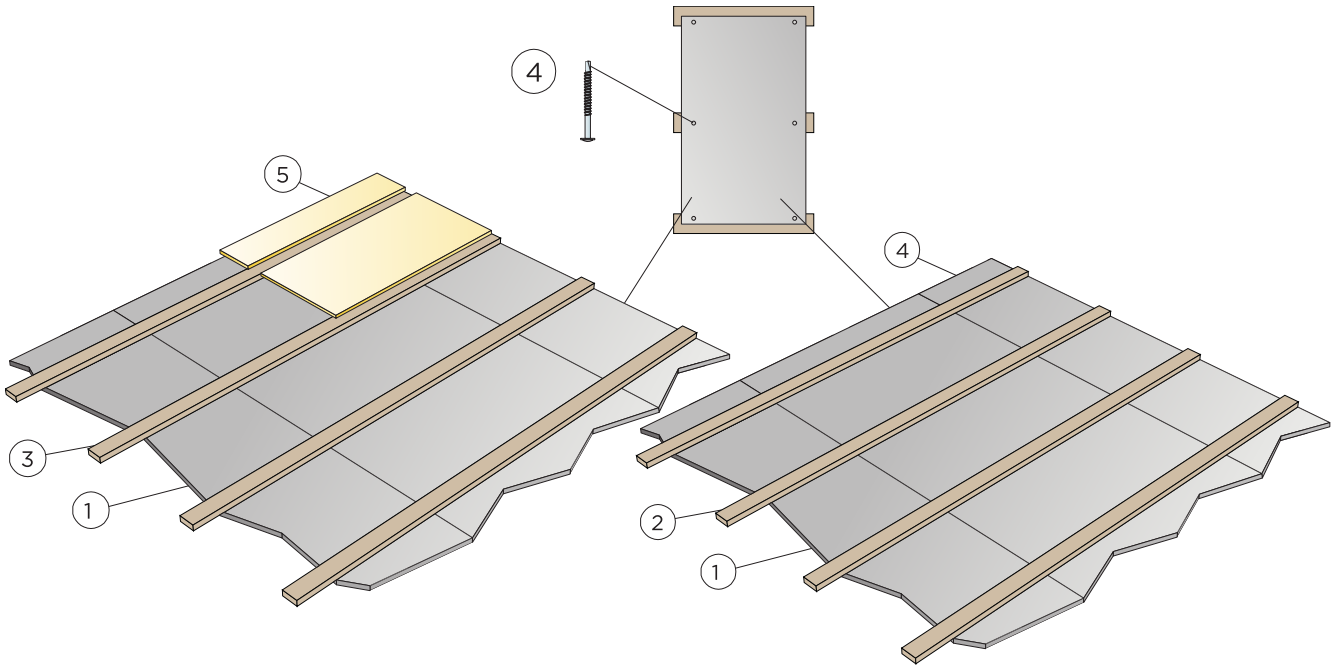


See Quantity specification

Size, mm	Max live load [N]	Min load bearing capacity [N]
600x600x25	0	160
1200x600x25	0	160

Live load/load bearing capacity

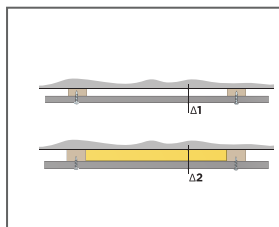
## INSTALLATION DIAGRAM (M576) FOR ECOPHON SAGA B, DIRECT FIXING SYSTEM (CEILING).



© Saint-Gobain Ecophon AB

### QUANTITY SPECIFICATION (EXCL. WASTAGE)

	Size, mm	
	600x600	1200x600
1 Saga B	2,8/m <sup>2</sup>	1,4/m <sup>2</sup>
2 Mounting wood laths 28x70, installed 600 mm centres	1,7/m <sup>2</sup>	1,7/m <sup>2</sup>
3 Alt Mounting wood laths 45x70, installed 600 mm centres for Saga Acoustic	1,7/m <sup>2</sup>	1,7/m <sup>2</sup>
4 Connect Saga Fixation	4pcs/panel	6pcs/panel
5 Saga Acoustic (if required)	as required	as required
Δ Min. overall depth of system: Δ1 50 mm / Δ2 70 mm The system is not demountable	-	-
	-	-

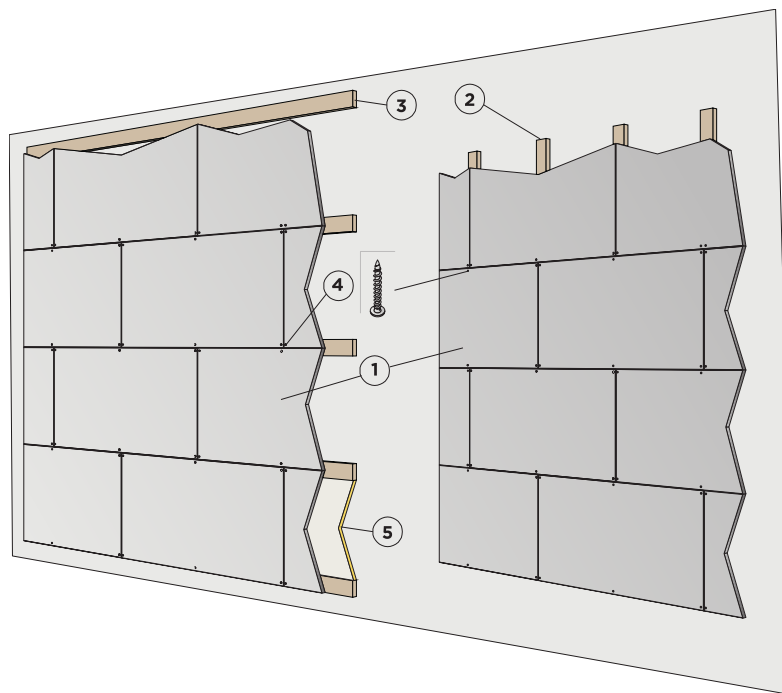


See Quantity specification

Size, mm	Max live load [N]	Min load bearing capacity [N]
600x600x25	-	-
1200x600x25	-	-

Live load/load bearing capacity

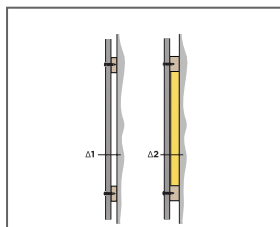
## INSTALLATION DIAGRAM (M578) FOR ECOPHON SAGA B, LATHING WALL SYSTEM.



© Saint-Gobain Ecophon AB

### QUANTITY SPECIFICATION (EXCL. WASTAGE)

	Size, mm	
	600x600	1200x600
1 Saga B	2,8/m <sup>2</sup>	1,4/m <sup>2</sup>
2 Mounting wood laths 28x70, installed 600 mm centres	1,7/m <sup>2</sup>	1,7/m <sup>2</sup>
3 Alt Mounting wood laths 45x70, installed 600 mm centres for Saga Acoustic	1,7/m <sup>2</sup>	1,7/m <sup>2</sup>
4 Connect Saga Fixation	4pcs/panel	6pcs/panel
5 Saga Acoustic (if required)	as required	as required
Δ Min. overall depth of system: Δ1 50 mm / Δ2 70 mm The system is not demountable	-	-
	-	-



See Quantity specification

Size, mm	Max live load [N]	Min load bearing capacity [N]
600x600x25	-	-
1200x600x25	-	-

Live load/load bearing capacity